



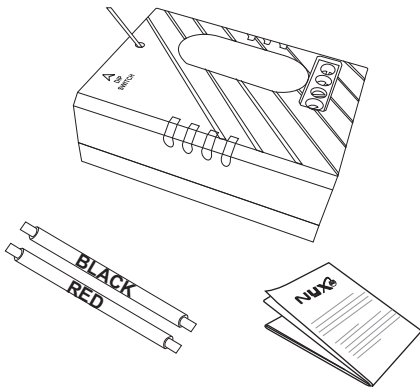
Installation Guide for Single Curtain Control Module (NCUR1001)

Thank you for choosing Nyx Single curtain control Module.

This device is intended for curtain control. User can install the unit behind the conventional switch board and provide controls of open-close-stop for a curtain. The curtain motor connected to the Nyx Single Curtain Control module can be controlled by Nyx Android App.

The Box Contains-

- RF Single Curtain Control Module
- Installation Guide
- 1 Sq. mm. BLACK wire (200mm length)
- 1 Sq. mm. RED wire (200mm length)



Technical Specifications

Operating voltage	90 - 270V, AC 50Hz
Maximum Load per channel	250 Watt
Radio frequency	866Mhz
Radio operating distance	50m line of sight
Operating temperature	0°C to +50°C
Dimension(L X W X H)	60mm X 44mm X 23mm

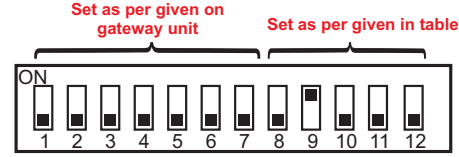
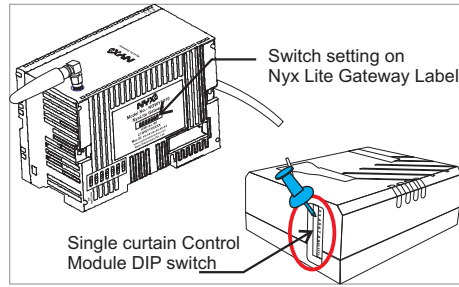
Pre-installation checklist:

- 1) Make sure curtain open and close wire coming out from curtain motor.
- 2) Motor should be 230V AC controlled.

Product setup and configuration

1. Set the DIP switches as per instructions below:

- a) There are total 12 DIP switches. First 7 DIP switches should be set as per the settings shown on your NyxLite Gateway module.



b) The remaining 5 DIP switches (Switch 8 to 12) are meant for room location of the device. Choose the location and set the DIP switch setting as shown in below table:

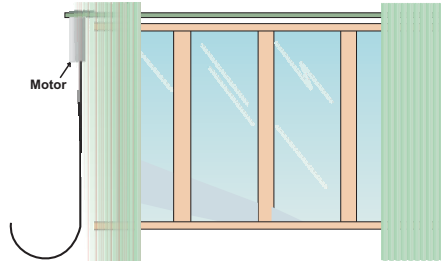
DIP switch configuration:

Room Location	Node ID (DIP switch 8 to 12)				
	8	9	10	11	12
Living curtain -1	0	0	1	1	1
Living curtain -2	1	0	1	1	1
Master bed room curtain	0	1	1	1	1

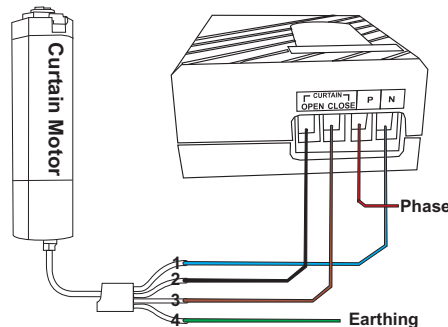
How to set DIP switch to 1 or 0:

DIP Switch setting for position 0:	
DIP Switch setting for position 1:	

2. Switch Off the MCB.
3. Open the Switch Board, Where you want to install Single Curtain Controller.



An example of curtain motor wiring diagram shown below:



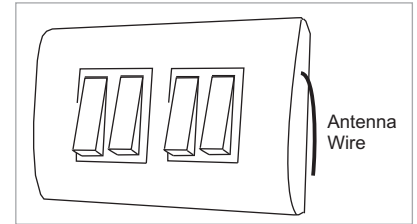
- 1 = Neutral
- 2 = Direction 1 / Open / Up
- 3 = Direction 2 / Close / Down
- 4 = Earthing

4. Identify phase and neutral wire from switch board and connect it to respective terminal of single curtain control module as shown above.

5. Identify the curtain motor wire for open and close direction. Once identified connect it to OPEN and CLOSE terminal of single curtain control module.

6. Fit single curtain control module by adjusting wires and insert module inside wall cavity, screw the switch board.

7. Make sure antenna wire brought out of module box, this is to ensure proper RF communication.



8. Power on MCB

9. Single curtain control module is ready for configuration.

10. To add the device in the system use Nyx mobile application.