

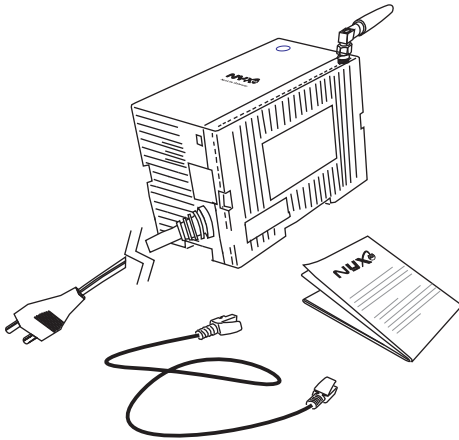


Installation Guide for NyxLite Gateway [INGWY1010]

Thank you for choosing NyxLite Gateway.

This product acts as a home controller for Nyx Home Automation System.

- The Box Contains-**
- Gateway
 - Ethernet Cable
 - Installation Guide
 - Screws: 2 Nos.
 - Pin - To set DIP Switches



Technical Specifications

Operating voltage	230VAC, 50Hz
Active Current	300 mA
Radio frequency	866Mhz
Radio operating distance	50m line of sight
Operating temperature	0 - 50°C
Communication ports	1 Ethernet port 10/100 Mbps
Dimension	100mm (H) x 70mm (D) x 52mm (W)

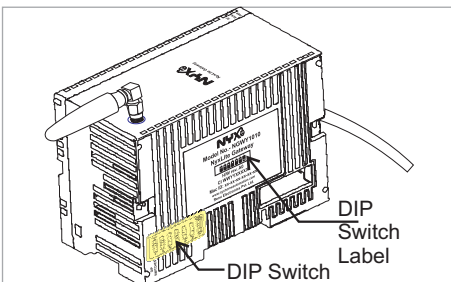
Pre-installation check list:

1. Install gateway at center location of home.

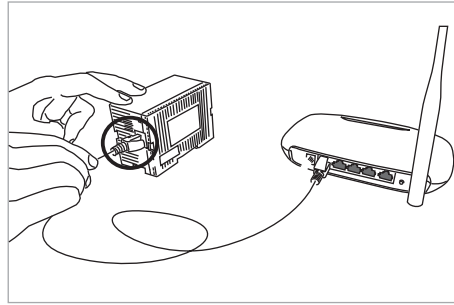
Product setup

A] Configuration with Wi-Fi router:

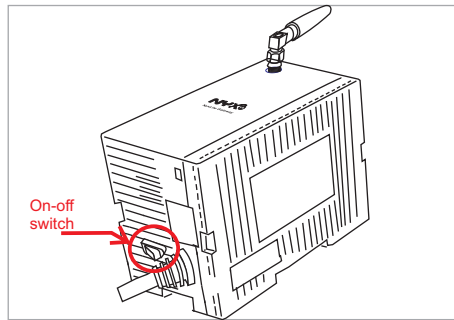
1. Ensure the DIP switches are set as per DIP switch label.



2. Connect 230V power to the gateway device.
3. Insert one end of Ethernet cable to the gateway device and other end into one of the ethernet port of router.

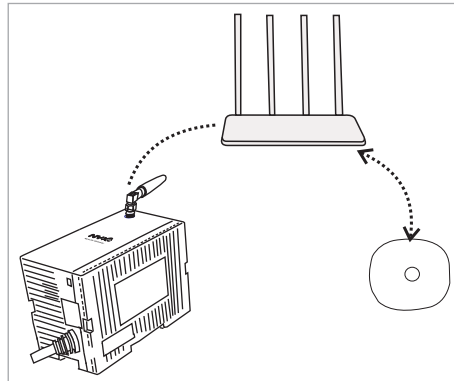


4. Turn on NyxLite gateway, then PWR LED will glow and "RUN" LED will start blinking. This indicates that the device is working.



B] Configuration using Jio Access Point:

1. To connect NyxLite gateway with Jio Access point, you need additional Wi-Fi extender.
2. Turn on the Jio Access point and Wi-Fi extender. (tested module viz.: MI3C).
3. Use mobile phone or computer to log-in to the Wi-Fi extender by using its IP and password (Generally printed on back side of router).



4. Set the Wi-Fi extender to the amplifier mode [Extend existing Wi-Fi].
5. Select existing Wi-Fi network to repeat and enter its password. Here, existing wireless network is Jio Access Point.
6. Now, connect Ethernet cable from NyxLite gateway to the Wi-Fi extender.

7. Turn on NyxLite gateway. Then the "PWR" LED will glow and "RUN" LED will start blinking. This indicates that the device is working.
8. LED indication status on Ethernet connector of NyxLite Gateway:
GREEN: Continuous ON
Orange: Blink during router communication

Configuration of Nyx devices to gateway:

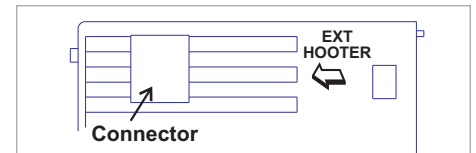
1. Internet connection to the gateway is recommended.
2. Download Nyx App on your mobile.
3. RUN the Nyx App and add the NyxLite Gateway



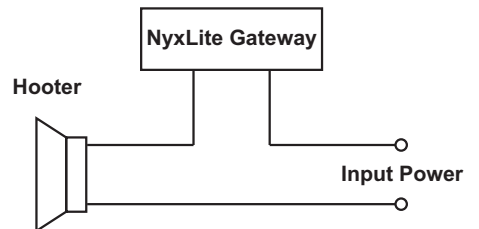
4. Give all the credentials and set-up a system.
5. Once gateway is set up, add the available devices

Setting up additional hooter:

User can connect external hooter for larger sound. Hooter can be connected to Gateway is as shown below.



Connection diagram with external hooter:



Recommended Specifications of Hooter:

Max Operating voltage: 230VAC
Max Operating current: 1Amp

Node ID list for Dip switch configuration:

RF Two / Four Switch I/O module

Room Location	Node ID (DIP switch 8 to 12)					
	8	9	10	11	12	
Living 1	0	1	0	0	0	
Living 2	1	1	0	0	0	
Living 3	0	0	1	0	0	
Master bedroom 1	1	0	1	0	0	
Master bedroom 2	0	1	1	0	0	
Master bedroom 3	1	1	1	0	0	
Children bedroom 1	0	0	0	1	0	
Children bedroom 2	1	0	0	1	0	
Children bedroom 3	0	1	0	1	0	
Kitchen 1	1	1	0	1	0	
Kitchen 2	0	0	1	1	0	
Dining / Study 1	0	1	1	1	0	
Dining / Study 2	1	1	1	1	0	
Lobby 1	0	0	0	0	1	
Guest bedroom 1	0	1	0	0	1	
Guest bedroom 2	1	1	0	0	1	

Single 15A switch module (AC)

Room Location	Node ID (DIP switch 8 to 12)					
	8	9	10	11	12	
Living AC-1	1	0	1	1	0	
Living AC-2	1	0	0	0	1	
Children AC	1	0	1	0	1	
Guest AC	0	1	1	0	1	
Master bed AC	0	0	1	0	1	

Single 15A switch module (Geyser)

Master bed geyser	1	1	1	0	1	
Children Geyser	0	1	0	1	1	
Guest Geyser	1	1	0	1	1	

Single Curtain Controller

Living curtain-1	0	0	1	1	1	
Living curtain-2	1	0	1	1	1	
Master bed room curtain	0	1	1	1	1	

Four way RF Keypad

Room Location	Node ID (DIP switch 8 to 12)					
	8	9	10	11	12	
Living	0	0	0	1	1	
Master bedroom	1	0	0	1	1	

Pin Pad	1	1	1	1	1	
----------------	---	---	---	---	---	--

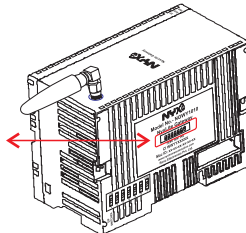
Room Location	Node ID (DIP switch 8 to 12)					
	8	9	10	11	12	
Intrusion Detector						
Entrance Door	0	1	0	0	0	
Terrace	1	1	0	0	0	
Balcony	0	0	1	0	0	
Dry balcony	1	0	1	0	0	
Back door	0	1	1	0	0	
Motion Detector						
Entrance door	1	1	1	0	0	
Back door	0	0	0	1	0	
Terrace	1	0	0	1	0	
Balcony	0	1	0	1	0	
Dry balcony	1	1	0	1	0	
Gas leak detector						
	0	1	1	1	0	
Smoke detector						
	1	0	1	1	0	

Remote	1	1	1	1	0	
---------------	---	---	---	---	---	--

Example:

Setting DIP switch for Living 1 of Four Switch I/O Module:
 1. Setting of 7 DIP switches of NyxLite Gateway as per switch setting label on your Gateway is shown below as an example.

Set as per given on gateway unit



2. For living 1, set the DIP switch setting as per table:

RF Four Switch I/O module

Room Location	Node ID (DIP switch 8 to 12)					
	8	9	10	11	12	
Living 1	0	1	0	0	0	

Set as per given on gateway unit Set as per given in table



How to set DIP switch to 1 or 0:

DIP Switch setting for position 0:	
DIP Switch setting for position 1:	